



PART LIST

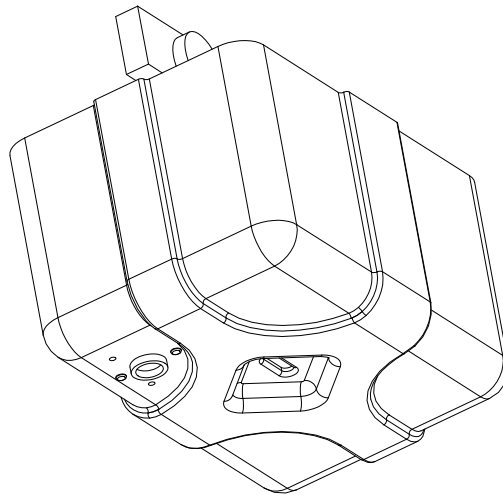
Revised February, 2002
001.08863, rev. 3

IMPORTANT: Read the instruction manual before installing, operating, or servicing this system

VOYAGER[®] 420

**BATTERY VERSION
2 AND 4 FUNCTION**

**CEILING PATIENT
LIFT SYSTEM**

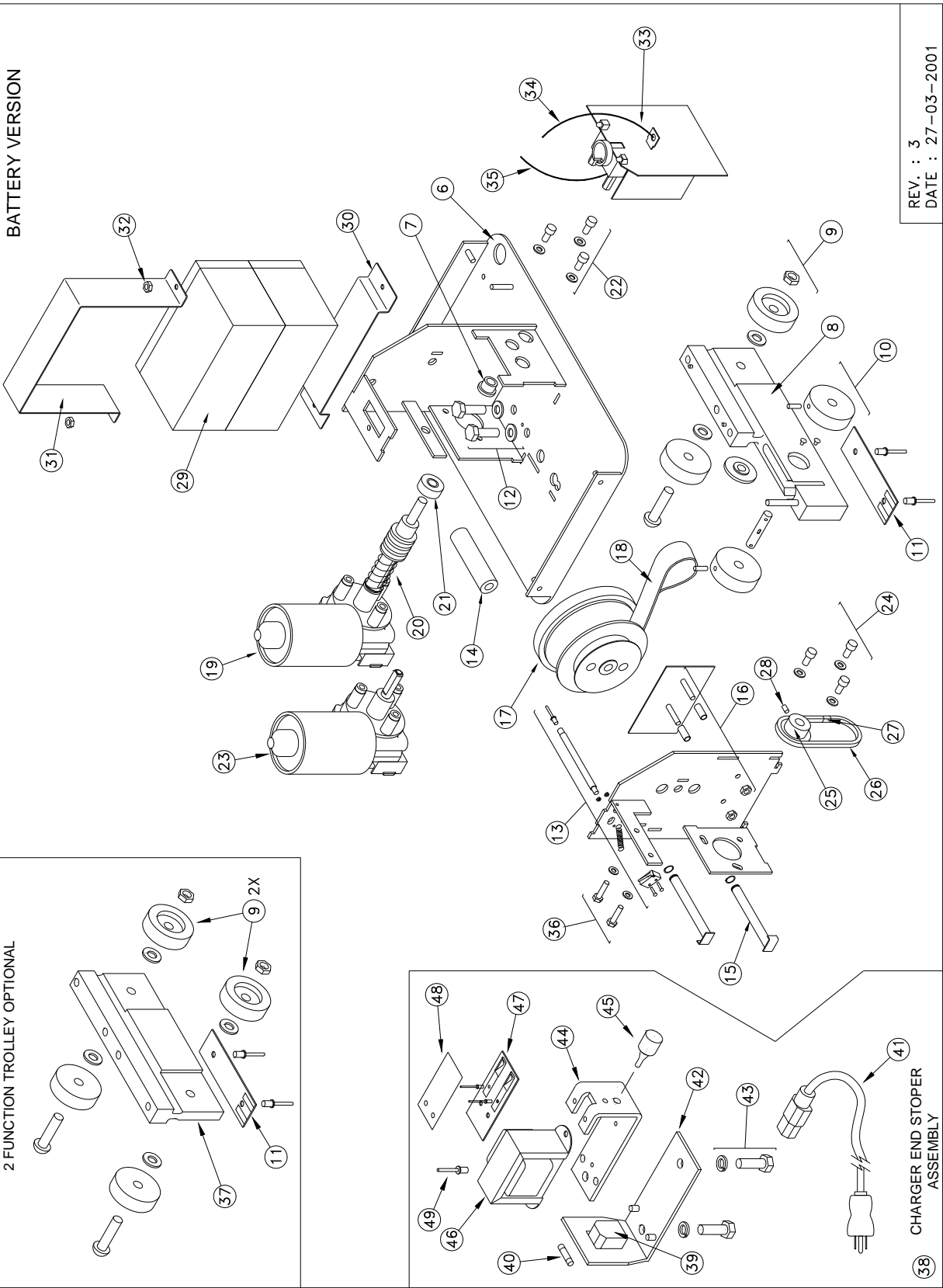


DO NOT DESTROY

BHM MEDICAL INC., 2001 TANGUAY STREET, MAGOG, QUEBEC, CANADA, J1X 5Y5
Web site: <http://www.bhm-medical.com>

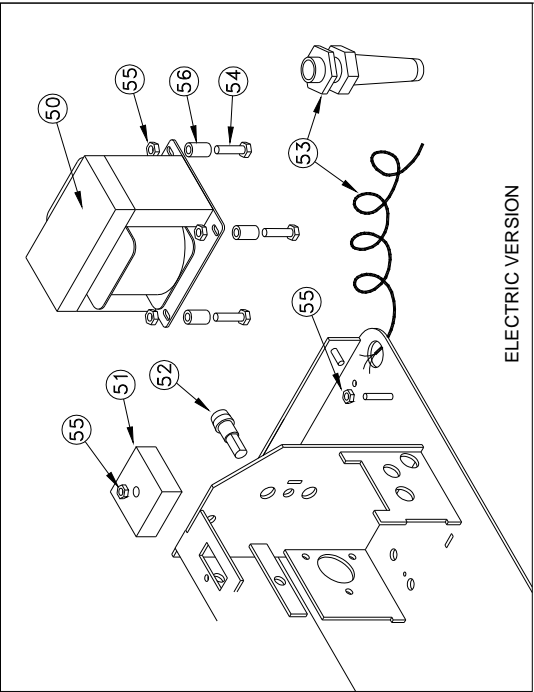
BATTERY VERSION

2 FUNCTION TROLLEY OPTIONAL

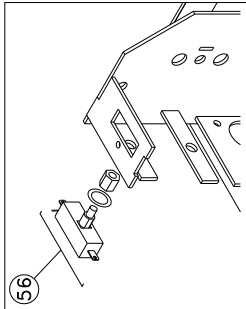


REV. : 3
DATE : 27-03-2001

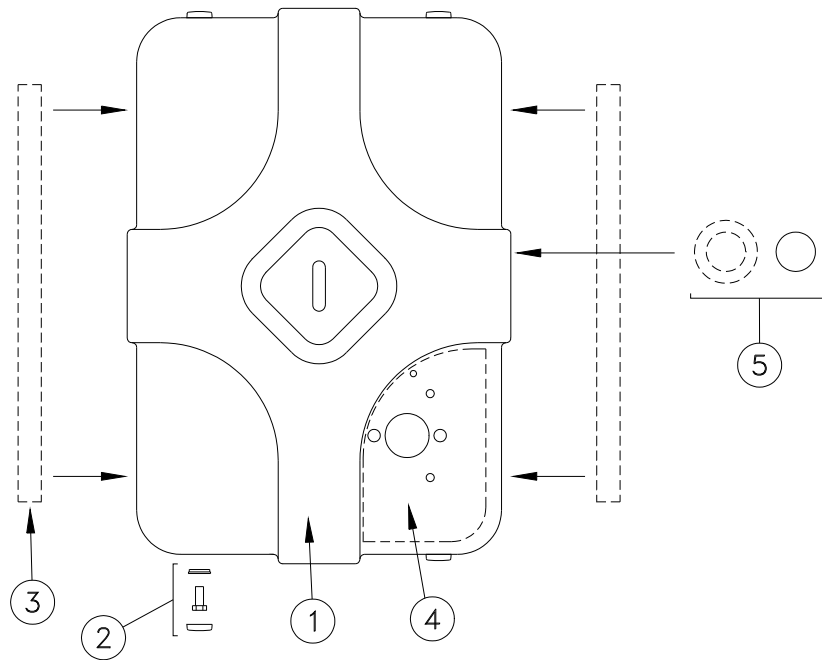
38 CHARGER END STOPPER ASSEMBLY



ELECTRIC VERSION



LIMIT SWITCH SYSTEM
REVISION 2
-STRAP GUIDE ROLL
#M8520
(BEFORE SERIAL NUMBER
ALB3-XFX-1644)



<u>ITEM NO.</u>	<u>QTY.</u>	<u>PART NO.</u>	<u>DESCRIPTION</u>
1	1	A8800	V420 BATTERY CAB ASSEMBLY
2-1	4	000.02950	PLASTIC CAP FOR M5
2-2	4	000.02550	SCREW M5 X 12 HEX
2-3	4	000.02955	PLASTIC CAP WASHER M5
3	2	P8820	VOYAGER 420 LABEL
4	1	P8800	V420 DISPLAY LABEL
5-1	1	P5030	EMERGENCY LOWERING LABEL
5-2	1	000.01038	PLASTIC CAP
6	1	M8500	V420 FRAME
7	1	000.01048	BRASS FLANGE BUSHING
8	1	A5220-A3	4 FUNCTION TROLLEY ASSEMBLY
8-1	1	M5220	4 FUNCTION TROLLEY ALUMINIUM PART ONLY
9-1	1	000.04260	M10 X 40mm SCREW
9-2	2	A5245	50mm WHEEL ASSEMBLY (BEARING INCLUDE)
9-3	2	000.04430	FLAT WASHER 10mm
9-4	1	000.04418	JAM NUT M10
10-1	2	M5240	50mm TRACTION WHEEL
10-2	2	000.02600	SET-SCREW M5 X 25
10-3	1	M8510	TRACTION SHAFT
10-4	1	M8530	SPROCKET ALB-3
11	1	A5160	CIRCUIT CONTACT ASSEMBLY
11-1	2	000.00887	POP RIVET 1/8 X 3/8
12-1	3	000.03635	M8 X 20 HEX SCREW
12-2	3	000.03960	LOCKWASHER M8

13-1	1	000.00887	POP RIVET 1/8 X 3/8
13-2	1	200.08120	LIMIT ROD
13-3	2	000.00022	2-56 LOCKNUT
13-4	1	460.00005	SWITCH DB2
13-5	1	460.00015	SWITCH BLADE
13-6	2	000.00010	2-56 BOLT
13-7	1	000.00873	6.5 X 25mm SPRING
14	1	M8520	STRAP GUIDE ROLL
15-1	2	M8065	9 X 85mm STEEL SHAFT
15-2	2	000.00846	SNAP RING 9mm
16-1	1	M8505	SIDE DRUM PLATE
16-2	2	000.02542	SPACER #10 X 1/2
16-3	2	000.02800	LOCKNUT M5
17	1	A8051	DRUM ASSEMBLY (WITH STRAP)
18	1	A1360	V420 STRAP
19	1	E0006	TURBO MOTOR
20	1	A8020-A3	DRIVE SHAFT ASSEMBLY (COMPLETE)
21	1	000.01083	3/8 THRUST BEARING
22-1	3	000.03095	M6 X 16 HEX SCREW
22-2	3	000.03420	LOCKWASHER M6
23	1	E0006	TURBO MOTOR
24-1	3	000.03095	M6 X 16 HEX SCREW
24-2	3	000.03420	LOCKWASHER M6
25	1	000.01142	25B16 SPROCKET
26	1	000.01166	#25 X 44 LINK CHAIN
27	1	000.01180	#25 CONNECTING LINK
28	1	000.00175	SET-SCREW ¼-20 X 5/16
29	2	E0150	12V 7Ah BATTERY
30	2	200.08560	BATTERY BLOC
31	1	M5020	BATTERY RACK
32	2	000.02800	LOCKNUT M5
33*	1	E8500-4FB	BHM-03 CIRCUIT BOARD (BATTERY VERSION)
33*	1	E8500-4FE	BHM-03 CIRCUIT BOARD (ELECTRIC VERSION)
**	1	C6SPC6A	PULL CHAIN EMERGENCY STOP
**	1	C5CUMNL/P15	15 PIN CONNECTOR PLUG AMP
34	1	000.01344	WHITE ELASTIC CORD
35	1	000.01343	RED ELASTIC CORD
36-1	2	000.02550	SCREW M5 X 12 HEX.
36-2	2	000.02900	LOCKWASHER M5
37*	**1	A5235	2 FONCTION TROLLEY ASSEMBLY
37*	**1	M5235	2 FONCTION TROLLEY ALUMINIUM PART

38	1	A5300	CHARGER END STOPPER ASSY
39*	***1	C5CBUL/MF-C3	BULGIN 3mm 100-120V
39*	***1	C5CBUL3MM220	BULGIN 3mm 220-240V
40*	***2	C8FGMC0..5	FUSES GMC 0.5A
40*	***2	C8FGMC0.250	FUSES GMC 0.250A
41*	***1	E7525	1.5m. POWER CORD NORTH AMERICA
41*	***1	E7528	2.5m. POWER CORD AUSTRALIA
41*	***1	E7521	2.5m POWER CORD EUROPE
41*	***1	E7529	2m POWER CORD JAPAN
41*	***1	E7527	2.5m. POWER CORD U.K.
42	1	M5310	CHARGER ATTACHMENT
43-1	2	000.03675	M8 x 25 HEX SCREW
43-2	2	000.03960	M8 LOCKWASHER
44	1	M5300	CHARGER END STOPPER FRAME
45	1	000.01028	RUBBER BUMPER
46*	***1	E7510	100-120/24V 50VA TRANSFORMER
46*	***1	E7517	220-240/24V 50VA TRANSFORMER
47	1	A5125	CHARGER CONTACT ASSY
47-1	1	C9BHM34	CONTACT BOARD
47-2	2	200.05340	CONTACT BLADE
47-3	2	000.00888	RIVET 1/8 x 1/8
48	1	200.05345	MICA PROTECTOR
49	5	000.00895	RIVET 3/16 x 1/8-1/4
50*	***1	E7250	120/24V 350VA TRANSFORMER
50*	***1	E7251	220/24V 350VA TRANSFORMER
51	1	C1PMB256	BRIDGE RECTIFIER 25A 600V
52*	***1	A7190	120/24V COIL CABLE 12-110V
52*	***1	A7195	240/24V COIL CABLE 12-220V
53	1	C8FHBB	FUSE HOLDER IN-LINE HBB
54	4	000.02550	SCREW M5 X 12 HEX
55	6	000.02800	M5 LOCKNUT
56-1	1	A5170	LIMIT SWITCH ASSEMBLY
56-2	1	Q0990	.5mm FLAT WASHER
56-3	1	200.05090	SLEEVE LIMIT SWITCH

*** = SELECT CURRENT ACCORDING TO COUNTRY.

OTHER PARTS

6 BUTTON HANDSET	A0086	2 BUTTON HANDSET	A0093
FUSE .5 AMPS	C8FGMC0.5	FUSE 0.25 AMPS	C8FGMC0.25
FUSE 4 AMPS	C8FGMA4	FUSE 15 AMPS	C8FGMA15
AMP PIN EXTRACTING TOOL	318851-1		